



easYgen-3400/3500 Genset Control for Complex Breaker Applications

DESCRIPTION

The easYgen-3000 Series are control units for genset applications. The numerous inputs and outputs, along with a modular software structure, permit you to use the easYgen-3000 Series for a wide range of applications. This includes stand-by, AMF, peak shaving, import-export, cogeneration or distributed generation, among others. Also the easYgen-3000 Series is compatible for isolated, island parallel, mains parallel and multiple unit mains parallel operations. The easYgen-3000 Series is able to control up to 32 gensets connected in a network with automatic sequencing.

The easYgen-3000 Series is available for simple paralleling as well as for complex paralleling applications. Choose easYgen-3200 should you want to take your fleet of gen-sets parallel to grid or choose easYgen-3500 with LS-5 for multi grid, multi segment applications. These controllers are also available without display, in a rugged metal housing suitable for back panel installation. A remote panel (RP-3000) can be used for visualization/control purpose in this case.

FlexApp™ – This feature provides the tools to easily configure the number of operated breakers: None, GCB, GCB and MCB, GGB (Generator Group Breaker) and additional modes for Woodward LS-5 device interaction.

LogicsManager™ – Woodward's LogicsManager enables changes to the operation sequences and adaption to specific needs. The LogicsManager accomplishes this by monitoring a range of measuring values and internal states, which are combined logically with Boolean operators and programmable timers. This enables to create and/or modify control and relay functions.

DynamicsLCD™ – The adaptive and interactive 5.7", 320x240 pixel color graphical LC display with soft keys and a clear menu structure ensures intuitive user operation and navigation.

FEATURES

- Full connectivity of up to 32 Generators and 16 LS-5 circuit breaker control devices in one application
- Run-up synchronization to get several synchronous generators onto the load in a very short time. All generators are started with closed generator breakers. At the configured operating speed the voltage regulators are turned on and the voltage increases constantly to rated value. This method allows also to start-up a transformer without producing large in-rush currents.
- Operation modes: Auto, Stop, Manual, and Load/No Load test modes via discrete input possible
- Breaker control: Slip frequency / phase matching synchronization, open-close control, breaker monitoring
- Load transfer features: open / closed transition, interchange, soft loading / soft unloading, mains parallel
- Remote control via interface and discrete/analog inputs for adjusting speed, frequency, voltage, power, reactive power, and power factor set points
- Freely configurable PID controllers for various control purposes, such as heating circuit control (CHP applications), water level, fuel level, or pressure and/or other process values
- Supported ECU: Scania S6, MTU ADEC ECU7/8, Volvo EMS2 & EDC4, Deutz EMR2 & EMR3, MAN MFR/EDC7, SISU EEM, Cummins and Woodward E3 ECU
- Discrete and analog I/O expansion board connectivity (Woodward IKD 1 or Phoenix Contact IL series)
- Multi-lingual capability: English, German, Spanish, French, Italian, Portuguese, Japanese, Chinese, Russian, Turkish, Polish, Slovenian, Finnish, Swedish
- Configurable voltage/frequency control allows manual control of breakers
- Neutral interlocking determines and controls one common neutral in a network of generators
- Cylinder temperature monitoring for in-line and V engines
- Reactive power regulation at the grid interchange point (kvar or PF)

- Provides full connectivity of up to 16 Woodward LS-5 Series controllers for complex power management applications with multiple mains and bus tie breakers
- Integrated Generator Group breaker GGB control
- Run-up Synchronization
- Automatic Segment Control
- Master or Slave control capability
- Peak shaving operation
- AMF operation
- Cogeneration (CHP)
- Islanded & mains parallel operation
- Load sharing and load-dependent start/stop for up to 32 units
- Import/export control
- Open/closed transition
- CANopen / J1939 ECU Control
- Free configurable alarms and texts
- Fast configuration by partial setting files
- Dynamic mains stabilization (as per BDEW)
- Adjustable vector groups for synchronization

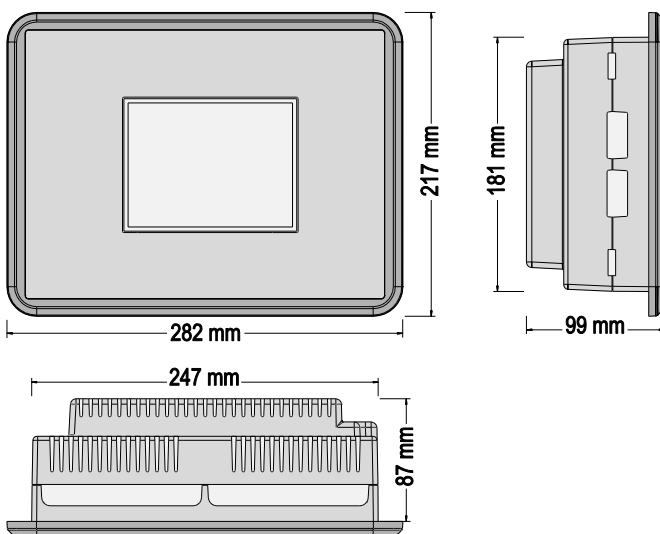
SPECIFICATIONS

Power supply	12/24 V _{DC} (8 to 40 V _{DC})
Intrinsic consumption	max. 19 W
Ambient temperature (operation)	-20 to 70 °C / -4 to 158 °F
Ambient temperature (storage)	-30 to 80 °C / -22 to 176 °F
Ambient humidity	95%, non-condensing
Voltage	($\sqrt{\Delta}$)
100 V _{AC} [1]	Rated (V _{rated}) 69/120 V _{AC}
	Max. value (V _{max}) 86/150 V _{AC}
	Rated surge volt. (V _{surge}) 2.5 kV
and 400 V _{AC} [4]	Rated (V _{rated}) 277/480 V _{AC}
	Max. value (V _{max}) 346/600 V _{AC}
	Rated surge volt. (V _{surge}) 4.0 kV
Accuracy	Class 1
Measurable alternator windings	3p-3w, 3p-4w, 3p-4w OD, 1p-2w, 1p-3w
Setting range	primary 50 to 650,000 V _{AC}
Linear measuring range	1.25×V _{rated}
Measuring frequency	50/60 Hz (40 to 85 Hz)
High Impedance Input; Resistance per path	[1] 0.498 MΩ, [4] 2.0 MΩ
Max. power consumption per path	< 0.15 W
Current (Isolated)	Rated (I _{rated}) [1] ..1 A or [5] ..15 A
Linear measuring range	I _{gen} = 3.0×I _{rated}
	I _{mains/ground} = 1.5×I _{rated}
Setting range	1 to 32,000 A
Burden	< 0.15 VA
Rated short-time current (1 s)	[1] 50×I _{rated} , [5] 10×I _{rated}
Power	
Setting range	0.5 to 99,999.9 kW/kvar
Discrete inputs	isolated
Input range	12/24 V _{DC} (8 to 40 V _{DC})
Input resistance	approx. 20 kOhms
Relay outputs	isolated
Contact material	AgCdO
Load (GP)	2.00 A _{AC} @250 V _{AC}
	2.00 A _{DC} @24 V _{DC} / 0.36 A _{DC} @125 V _{DC} / 0.18 A _{DC} @250 V _{DC}
Pilot duty (PD)	
	1.00 A _{DC} @24 V _{DC} / 0.22 A _{DC} @125 V _{DC} / 0.10 A _{DC} @250 V _{DC}

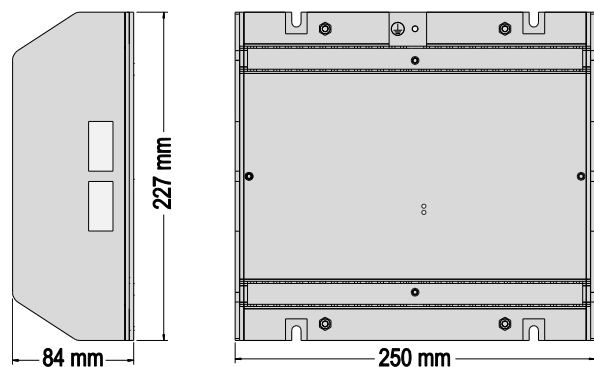
Analog inputs (none isolated)	freely scalable
Type 1	0 to 500 Ohms / 0 to 20 mA
Type 1 resolution	11 Bit
Type 2 (in P2)	0 to 10V / 0 to 20 mA
Type 3 (in P2)	0 to 250 Ohms / 0 to 2500 Ohms
Type 2/3 resolution	12 Bit
Analog outputs (isolated)	freely scalable
Type 1	± 10 V / ± 20 mA / PWM
Insulation voltage (continuously)	100 V _{AC}
Insulation test voltage (1s)	500 V _{AC}
Resolution	11/12 Bit (depending on analog output)
± 10 V (scalable)	internal resistance ≤ 1 kOhms
± 20 mA (scalable)	maximum load 500 Ohms
Type 2 (in P2)	0/4 - 20 mA / 0 - 10 V _{dc}
Insulation voltage (continuously)	100 V _{AC}
Insulation test voltage (1s)	500 V _{AC}
Resolution	12 Bit
Output	maximum load 500 Ohm
Housing	Front panel flush mounting Plastic housing
Dimensions	WxHxD 282 × 217 × 99 mm
Front cutout	WxH 249 [+1.1] × 183 [+1.0] mm
Connection	screw/plug terminals 2.5 mm ²
Front	insulating surface
Sealing	Front IP66 (with screw fastening)
	Front IP54 (with clamp fastening)
	Back IP20
Weight	max. 2,170 g
Housing	Back panel mounting Sheet metal housing
Dimensions	W x H x D 250 × 227 × 84 mm
Connection	screw/plug terminals 2.5 mm ²
Protection system	IP 20
Weight	max. 2,270 g
Disturbance test (CE)	tested according to applicable EN guidelines
Listings	UL, cUL, CSA
Marine	LR (Type Approval), ABS (Type Approval)

DIMENSIONS

Plastic housing for front panel mounting



Metal housing for cabinet mounting



FEATURES OVERVIEW

CONTACT

North & Central America

Tel.: +1 970 962 7331
 ✉ SalesPGD_NAandCA@woodward.com

South America

Tel.: +55 19 3708 4800
 ✉ SalesPGD_SA@woodward.com

Europe

Tel. Stuttgart: +49 711 78954 510
 Tel. Kempen: +49 2152 145 331
 ✉ SalesPGD_EUROPE@woodward.com

Middle East & Africa

Tel.: +971 2 6275185
 ✉ SalesPGD_MEA@woodward.com

Russia

Tel.: +7 812 319 3007
 ✉ SalesPGD_RUSSIA@woodward.com

China

Tel.: +86 512 8818 5515
 ✉ SalesPGD_CHINA@woodward.com

India

Tel.: +91 124 4399 500
 ✉ SalesPGD_INDIA@woodward.com

ASEAN & Oceania

Tel.: +49 711 78954 510
 ✉ SalesPGD_ASEAN@woodward.com

www.woodward.com

Subject to alterations, errors excepted.

Subject to technical modifications.


This document is distributed for informational purposes only. It is not to be construed as creating or becoming part of any Woodward Company contractual or warranty obligation unless expressly stated in a written sales contract.

We appreciate your comments about the content of our publications. Please send comments including the document number below to stgt-doc@woodward.com

© Woodward

All Rights Reserved

For more information contact:

	Model Package	easYgen-3000 Series			
		3400		3500	
		P1	P2	P1	P2
Measuring					
Generator voltage (3-phase/4-wire)		✓	✓	✓	✓
Generator current (3x true r.m.s.)		✓	✓	✓	✓
Mains voltage (3-phase/4-wire)		✓	✓	✓	✓
Mains or ground current (1x true r.m.s.; mains or ground current selectable)		✓	✓	✓	✓
Busbar voltage (1-phase/2-wire)		✓	✓	✓	✓
Control					
Breaker control logic (open and closed transition)	<i>FlexApp™</i>	3	3	3	3
Number of supported Woodward LS-5 units		16	16	16	16
Automatic, Manual, Stop, and test operating modes		✓	✓	✓	✓
Single and multiple-unit operation		✓	✓	✓	✓
Mains parallel multiple-unit operation (up to 32 units)		✓	✓	✓	✓
AMF (auto mains failure) and stand-by operation		✓	✓	✓	✓
Critical mode operation		✓	✓	✓	✓
GCB and MCB synchronization (slipping / phase matching)		✓	✓	✓	✓
GGB (Generator group breaker) control		✓	✓	✓	✓
Run-up synchronization		✓	✓	✓	✓
Import / export control (kW and kvar)		✓	✓	✓	✓
Load-dependent start/stop		✓	✓	✓	✓
n/f, V, P, Q, and PF remote control via analog input or interface		✓	✓	✓	✓
Load/var sharing for up to 32 gensets		✓	✓	✓	✓
Freely configurable PID controllers		3	3	3	3
HMI					
Color Display with Softkey operation	<i>DynamicsLCD™</i>	-	-	✓	✓
Start/stop logic for diesel / gas engines		✓	✓	✓	✓
Counters for operating hours / starts / maintenance / active/reactive energy		✓	✓	✓	✓
Configuration via PC (serial connection and ToolKit software (included))		✓	✓	✓	✓
Event recorder entries with real time clock (battery backup)		300	300	300	300
Protection					
	ANS#				
Generator: voltage / frequency	59 / 27 / 810 / 81U	✓	✓	✓	✓
Generator: overload, reverse/reduced power	32 / 32R / 32F	✓	✓	✓	✓
Generator: unbalanced load	46	✓	✓	✓	✓
Generator: instantaneous overcurrent	50	✓	✓	✓	✓
Generator: time-overcurrent (IEC 255 compliant)	51 / 51V	✓	✓	✓	✓
Generator: ground fault (measured ground current)	50G	✓	✓	✓	✓
Generator: power factor	55	✓	✓	✓	✓
Generator: rotation field		✓	✓	✓	✓
Engine: overspeed / underspeed	12 / 14	✓	✓	✓	✓
Engine: speed / frequency mismatch		✓	✓	✓	✓
Engine: D+ auxiliary excitation failure		✓	✓	✓	✓
Engine: Cylinder temperature		✓	✓	✓	✓
Mains: voltage / frequency	59 / 27 / 810 / 81U	✓	✓	✓	✓
Mains: phase shift / rotation field / df/dt (ROCOF)	78	✓	✓	✓	✓
I/Os					
Speed input: magnetic / switching; Pickup		✓	✓	✓	✓
Discrete alarm inputs (configurable)		12 (9)	23 (20)	12 (9)	23 (20)
Discrete outputs, configurable	<i>LogicsManager™</i>	max. 12	max. 22	max. 12	max. 22
External discrete inputs / outputs via CANopen		32 / 32	16 / 16	32 / 32	16 / 16
Analog inputs #1: +/- 20 mA, 0..10 V, 0..250/500/2500 Ω configurable	<i>FlexIn™</i>	3	10	3	10
Analog outputs: +/- 10V, +/- 20mA, PWM; configurable +		2	5	2	5
External analog inputs / outputs via CANopen		16 / 4	-	16 / 4	-
Display and evaluation of J1939 analog values, "supported SPNs"		100	100	100	100
CAN bus communication interfaces #2	<i>FlexCAN™</i>	3	3	3	3
RS-232/485 Modbus RTU Slave interface(s)		1 / 1	1 / 1	1 / 1	1 / 1
Listings/Approvals					
UL / cUL Listing		✓	✓	✓	✓
CSA		✓	✓	✓	✓
LR & ABS Marine		✓	✓	✓	✓
BDEW / VDE-AR-N 4105		✓	✓	✓	✓
CE Marked		✓	✓	✓	✓
Part Numbers					
		cabinet back mounting w/o display		front panel mounting with display #3	
easYgen with 1 A CT inputs		8440-1956	8440-2079	8440-1935	8440-1937
easYgen with 5 A CT inputs		8440-1945	8440-2078	8440-1934	8440-1936
Spare connector kit		8928-7371	8923-1919	8923-1314	8923-1918

#1 selectable senders: VDO (0 to 180 Ohms, 0 to 5/10 bar), VDO (0 to 380 Ohms, 40 to 120°C or 50 to 150°C), Pt100, Pt1000, resistive input (one- or two-pole, 2pt. linear or 9pt. user defined)
 #2 freely selectable during configuration between CANopen or J1939; request information
 #3 a screw and a clamp kit are delivered with the unit for fastening